

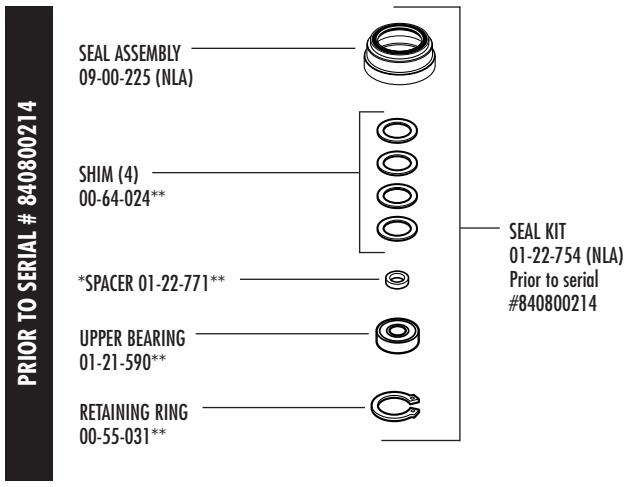
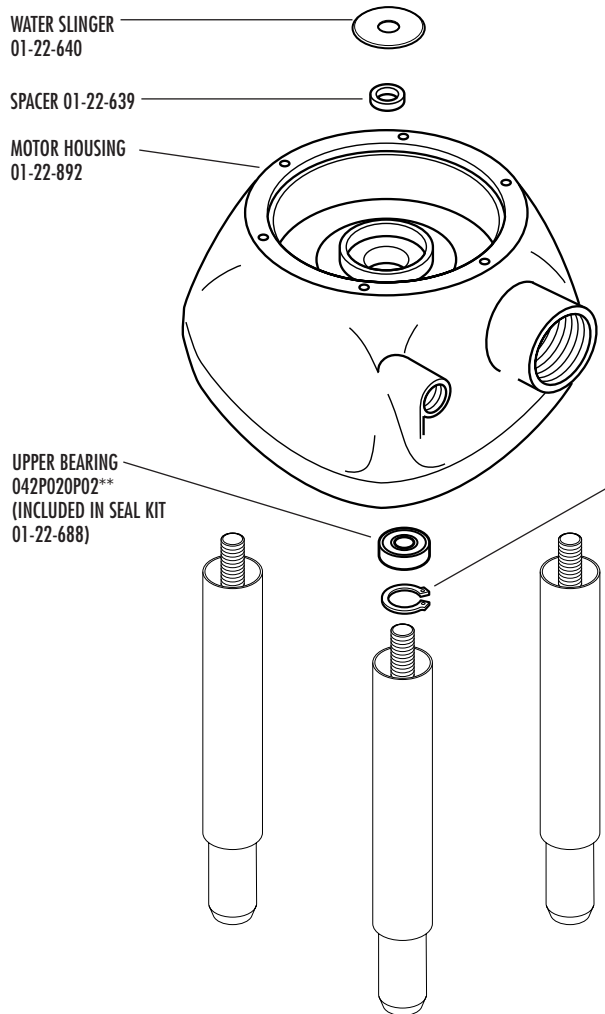
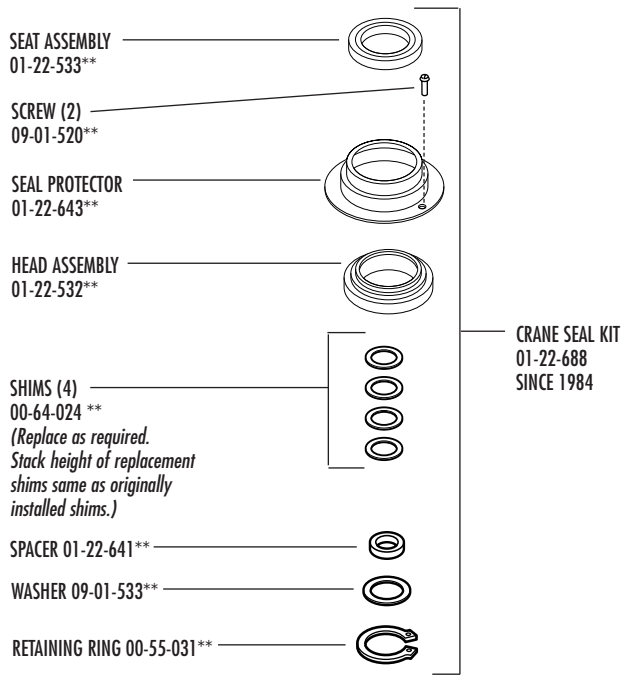
Due to continued product improvement, product configurations, parts and specifications may change without notice. Please call before ordering.

* LIMITED QTY. AVAILABLE ** ALSO AVAILABLE SEPARATELY (NLA) NO LONGER AVAILABLE

PARTS LIST

MODEL 2000-1/2000-3

2000-1: PRIOR TO #96-05-15084-1
2000-3: PRIOR TO #96-04-15164-1

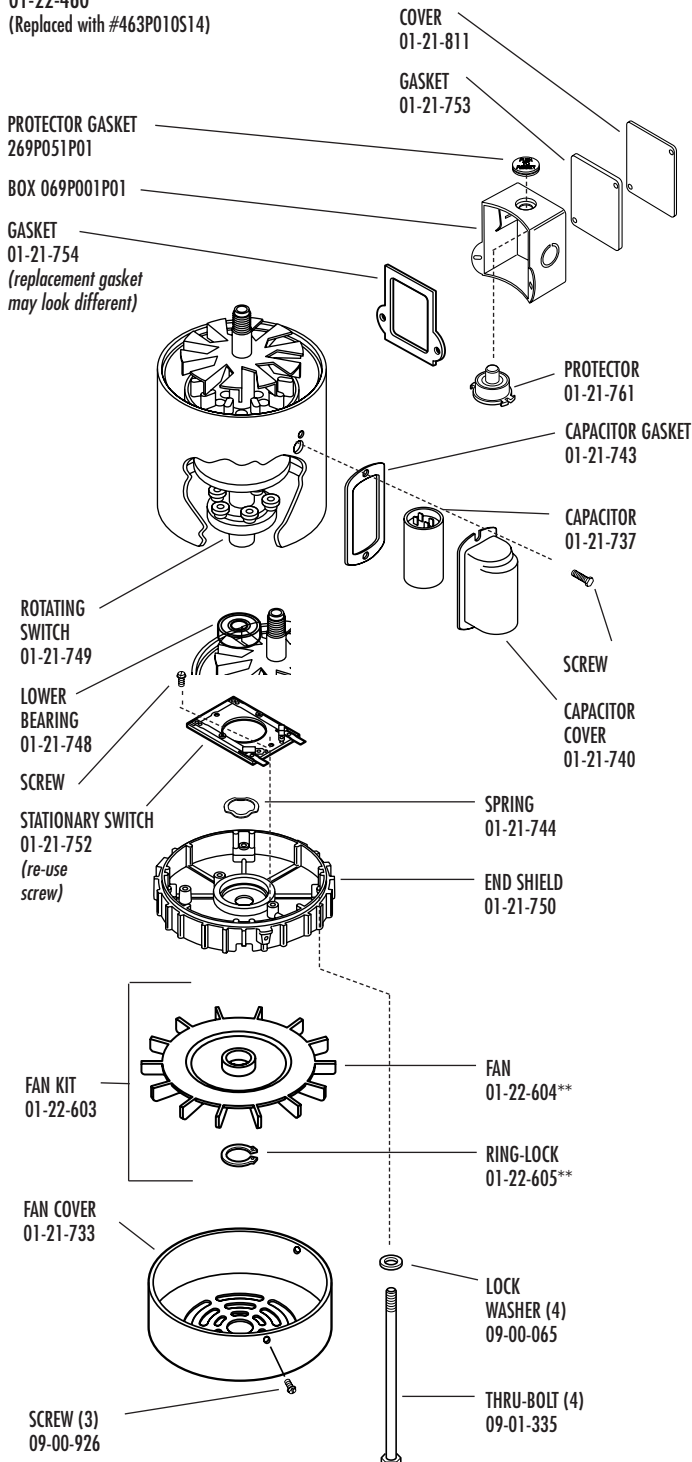


Due to continued product improvement, product configurations, parts and specifications may change without notice. Please call before ordering.

**ALERT! THE PROTECTOR ASSEMBLY HAS CHANGED.
SEE REVERSE SIDE FOR MORE INFORMATION.**

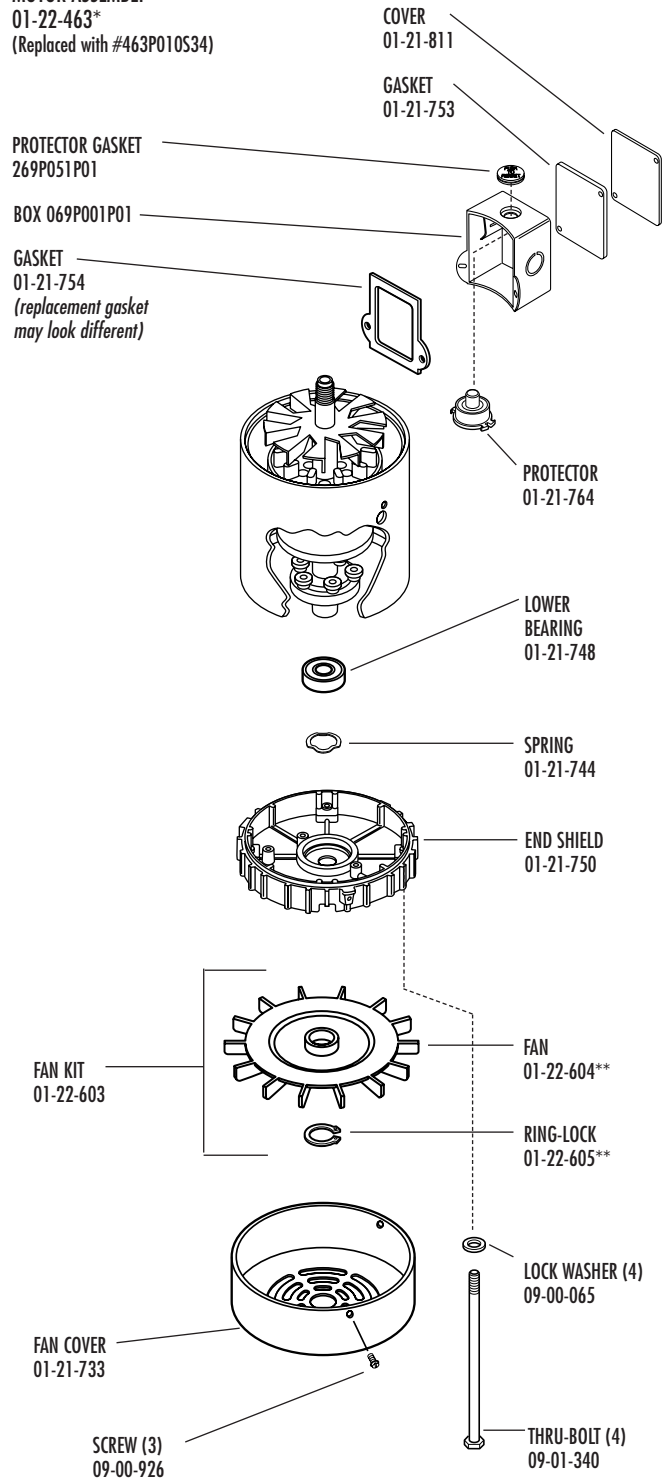
**MODEL 2000-1:
PRIOR TO #96-05-15084-1**

MOTOR ASSEMBLY
01-22-460*
(Replaced with #463P010S14)



**MODEL 2000-3:
PRIOR TO #96-04-15164-1**

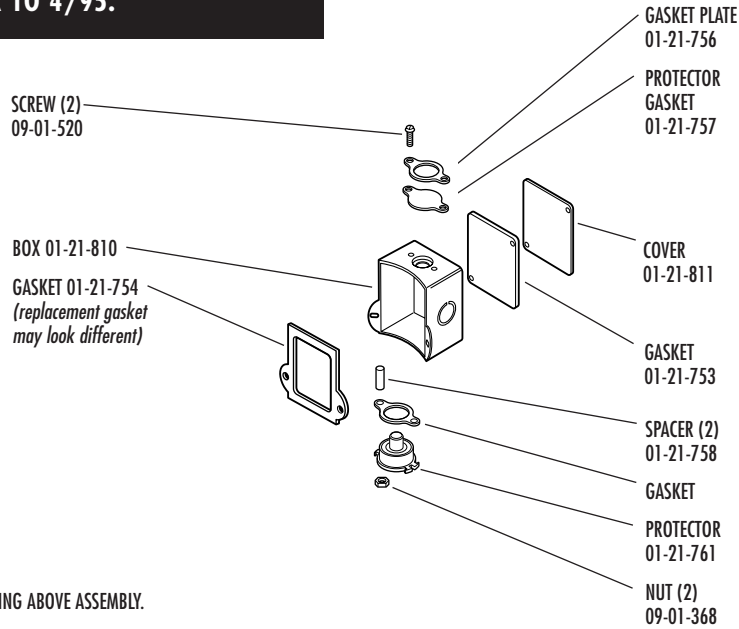
MOTOR ASSEMBLY
01-22-463*
(Replaced with #463P010S34)



Due to continued product improvement, product configurations, parts and specifications may change without notice. Please call before ordering.

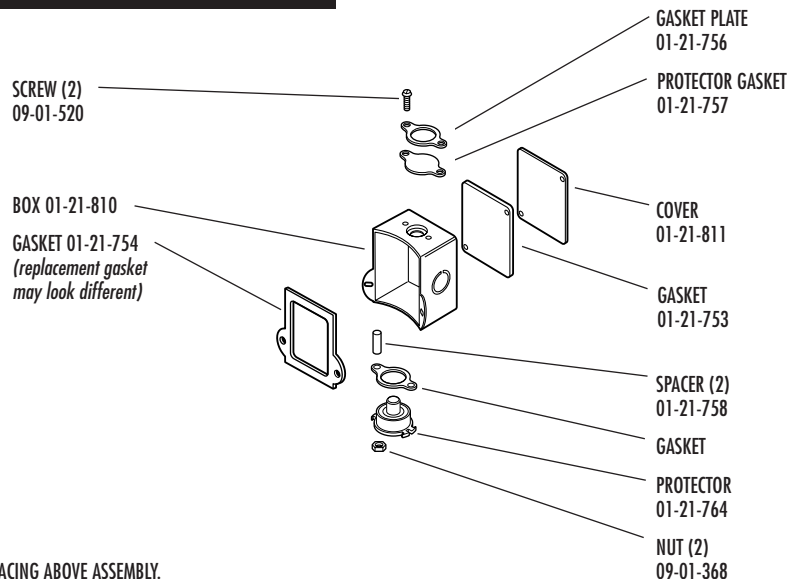
* LIMITED QTY. AVAILABLE ** ALSO AVAILABLE SEPARATELY (NLA) NO LONGER AVAILABLE

**PROTECTOR ASSEMBLY FOR MODELS BUILT
PRIOR TO 4/95.**



NEW STYLE BOX MAY BE USED IF REPLACING ABOVE ASSEMBLY.

**PROTECTOR ASSEMBLY FOR MODELS BUILT
PRIOR TO 4/95.**



NEW STYLE BOX MAY BE USED IF REPLACING ABOVE ASSEMBLY.

Due to continued product improvement, product configurations, parts and specifications may change without notice. Please call before ordering.

* LIMITED QTY. AVAILABLE ** ALSO AVAILABLE SEPARATELY (NLA) NO LONGER AVAILABLE