

# Waste King

COMMERCIAL

by Anaheim Manufacturing

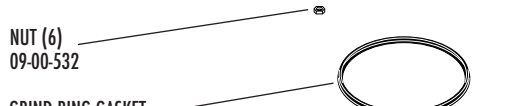
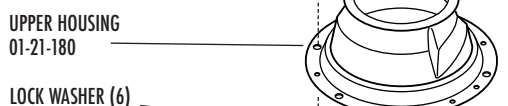
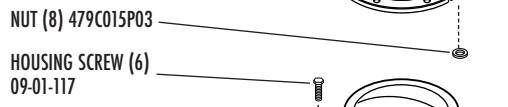
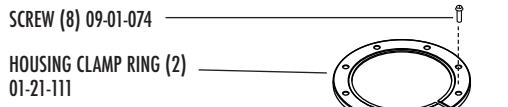
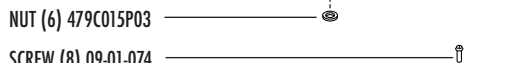
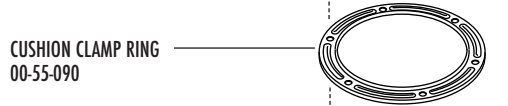
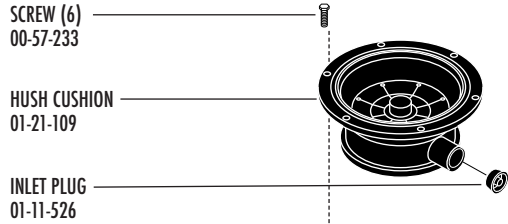
PHONE: (800) 854-3229 • FAX: (800) 454-4406  
www.wasteking.com

## PARTS LIST

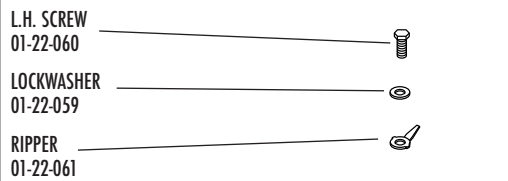
### MODEL 750-1

### BEGINNING WITH

### #96-04-15131-1



#### RIPPER KIT 01-22-660

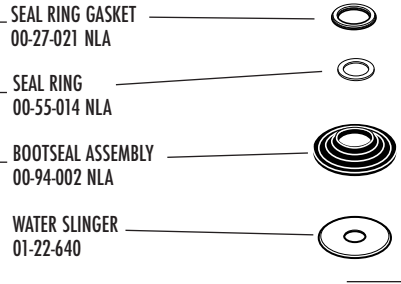


#### TURNTABLE ASSEMBLY 00-97-196

(One cutter blade. Impellers are included, but are not sold separately.)



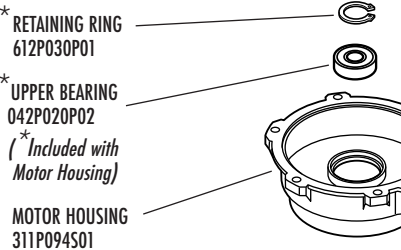
SINCE 11-2002  
SEAL KIT 645P19S02



#### SEAL KIT 00-94-073

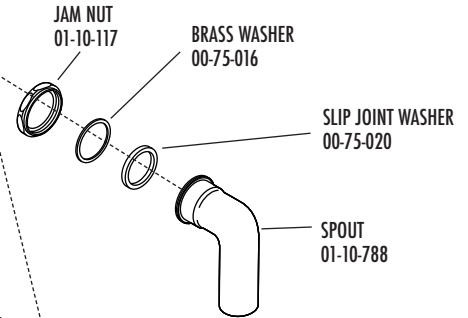
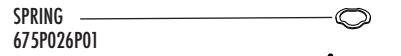
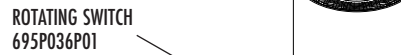


#### MOTOR ASSEMBLY 463P010S12



#### JUNCTION BOX ASSEMBLY 069P002S01

069P003S01\*\*  
(Protector Assy. not included)



#### PROTECTOR ASSEMBLY 166P008S01



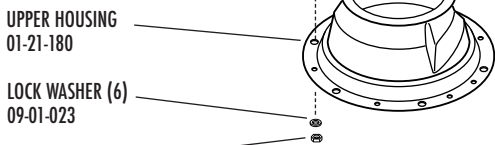
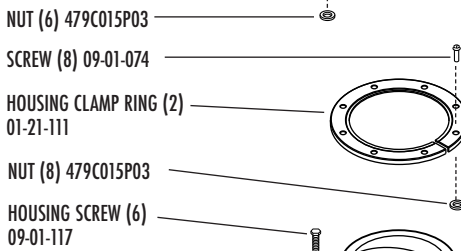
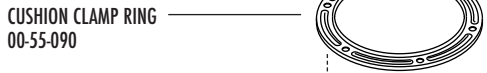
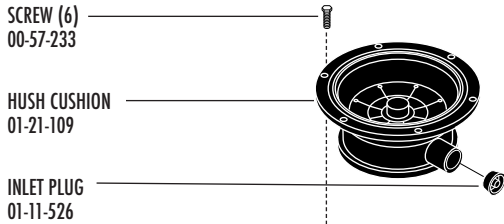
# Waste King

COMMERCIAL

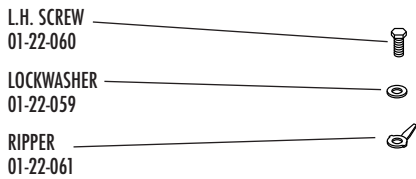
by Anaheim Manufacturing

PHONE: (800) 854-3229 • FAX: (800) 454-4406  
www.wasteking.com

## PARTS LIST MODEL 750-3 BEGINNING WITH #96-05-15057-1

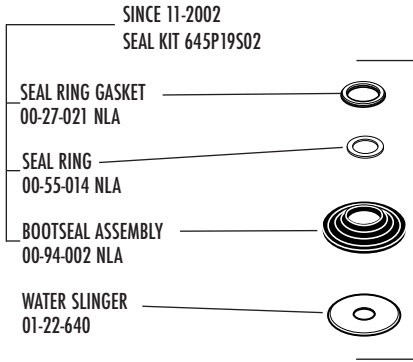


### RIPPER KIT 01-22-660

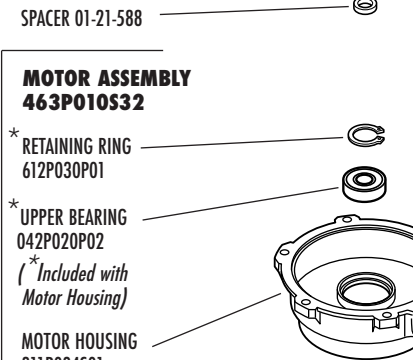


### TURNTABLE ASSEMBLY 00-97-196

(One cutter blade. Impellers are included, but are not sold separately.)



### SEAL KIT 00-94-073



### MOTOR ASSEMBLY 463P010S32

\* RETAINING RING  
612P030P01

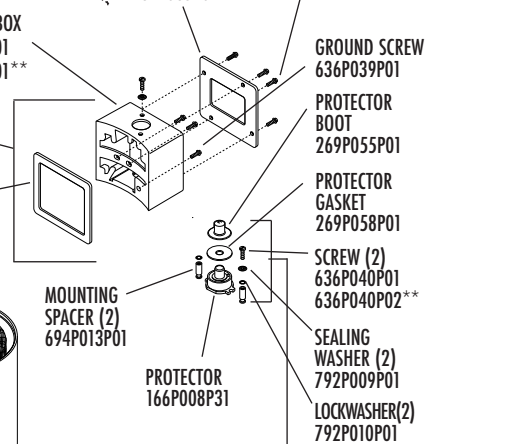
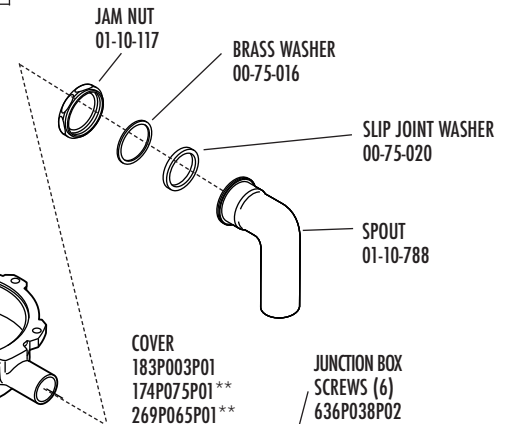
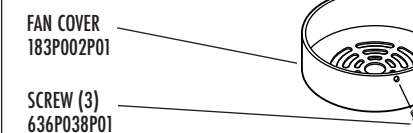
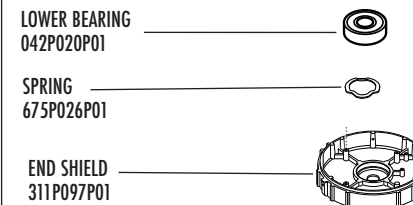
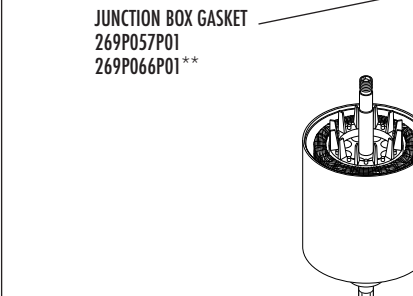
\* UPPER BEARING  
042P020P02

(\* Included with  
Motor Housing)

MOTOR HOUSING  
311P094S01

### JUNCTION BOX ASSEMBLY 069P002S01 069P003S01\*\*

(Protector Assy. not included)



### PROTECTOR ASSEMBLY 166P008S31

